

Three Phase Inverter Second Generation

Omniksol-40k/45k/50k/60k-TL



Product features

Features

- Multiple parallel connection intelligently restrains THDi overlay. THDi<2%
- More Reliable electricity supply from both self-produced and DC side
- Innovative topology Max efficiency 98.6% European efficiency over 98.3%
- 5 MPPT

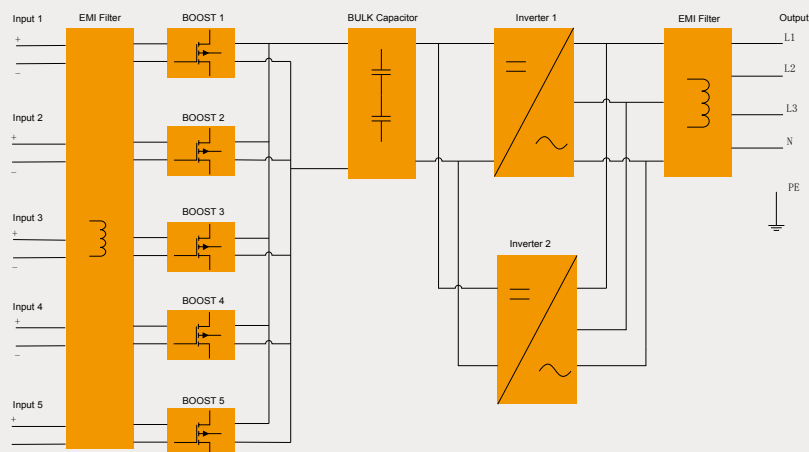
Flexibility

- Optional AFCI function
- Complete protection, adapting bad grid.
- NO fan, little noise

Reliability

- Built-in intelligent combining box.
- Bus capacitor life smart detection and alarm
- Wall-mounted compact size

Block Diagram



Technical Date

Omniksol-40k/45k/50k/60k-TL

Technical Data

Model	Omniksol-40k-TL	Omniksol-45k-TL	Omniksol-50k-TL	Omniksol-60k-TL
Input(DC)				
Max input power	45000W	50625W	56250W	66250W
Max input voltage	1000Vdc	1000Vdc	1000Vdc	1000Vdc
MPPT voltage range	200~950 Vdc	200~950 Vdc	200~950 Vdc	200~950 Vdc
Full load MPPT voltage range/ Rated voltage	450-850/620 Vdc	450-850/620 Vdc	450-850/620 Vdc	550-850/620 Vdc
No of MPPT/ strings per tracker	4	5	5	5
Max input current	4*27A	5*27A	5*27A	5*27A
Starting voltage	180V	180V	180V	180V
DC terminal block	Amphenol in-line	Amphenol in-line	Amphenol in-line	Amphenol in-line
Output(AC)				
AC nominal power (@230V,50HZ)	40000W	45000W	50000W	60000W
Max output power	44000W	49500W	55000W	66000W
Nominal AC voltage	3/N/PE;230/400V	3/N/PE;230/400V	3/N/PE;230/400V	3/N/PE;270/480V
AC voltage range	176~265Vac(Adjustible)	176~265Vac(Adjustible)	176~265Vac(Adjustible)	213~319Vac(Adjustible)
AC grid frequency	50HZ/60HZ	50HZ/60HZ	50HZ/60HZ	50HZ/60HZ
Max output current	64A	72A	80	80A
Nominal power factor	>0.99	>0.99	>0.99	>0.99
Power factor(adjustable)	0.8leading -0.8lagging			
Hamonics(THD)	< 2%	< 2%	< 2%	< 2%
Efficiency				
Max efficiency	98.60%	98.60%	98.60%	98.60%
European efficiency	98.30%	98.30%	98.30%	98.30%
MPPT efficiency	99.90%	99.90%	99.90%	99.90%
Protection				
String fault monitor	Yes	Yes	Yes	Yes
Reverse connection protection	Yes	Yes	Yes	Yes
reverse current protection	Yes	Yes	Yes	Yes
DC/AC overvoltage protection	Yes	Yes	Yes	Yes
DC insulation impedance monitoring	Yes	Yes	Yes	Yes
DC surge protection	Typell	Typell	Typell	Typell
AC surge protection	Typell	Typell	Typell	Typell
Ground monitoring	Yes	Yes	Yes	Yes
RCD current leakage protection	Yes	Yes	Yes	Yes
Anti-landing	Yes	Yes	Yes	Yes
General data				
Dimensions (W/H/D)	800x845x240mm	800x845x240mm	800x845x240mm	800x845x240mm
Weight	70Kg	70Kg	70Kg	70Kg
Working temperature	-25°C ~60°C	-25°C ~60°C	-25°C ~60°C	-25°C ~60°C
Ingress protection	IP65	IP65	IP65	IP65
Altitude	3000m (>3000m degrading)			
Night consumption	< 0.5W	< 0.5W	< 0.5W	< 0.5W
Cooling	Natural	Natural	Natural	Natural
Noise	< 29dB	< 29 dB	< 29 dB	< 29 dB
Communication	RS485/TCP/IP	RS485/TCP/IP	RS485/TCP/IP	RS485/TCP/IP
Warranty (5/10/15 years)	Yes/Opt./Opt.	Yes/Opt./Opt.	Yes/Opt./Opt.	Yes/Opt./Opt.